

WEEE IRELAND **CODE OF PRACTICE** LIGHTING COLLECTION POINT



Be a **bright
spark!** Recycle
for **free** with
WEEE Ireland



For collections
please call
059 863 1377 or
email **info@ilr.ie**

DID YOU KNOW ITS **FREE** **TO RECYCLE** LAMPS AND LIGHTING EQUIPMENT...?

WEEE Ireland provide a nationwide collection service through Wholesalers, Retailers and CA sites. This is funded by an Environmental Management Charge (vEMC) VISIBLE ON YOUR INVOICE WHEN YOU BUY LAMPS.

See www.weeeireland.ie/retailers for more information.

At Collection Points, **What We Accept**

Segregate and Store Separately for Collection

- Waste Lamps
- Waste Electrical and Electronic Equipment (WEEE)
- Waste Batteries

Waste Lamps

- All Fluorescent Lamps
- All Compact Fluorescent Lamps (PLS and CFLs)
- LED Light Sources
- Sodium Lamps
- Mercury Lamps
- Discharge Lamps

WEEE

- Luminaires
- Light Fittings
- Cables

Waste Batteries

- Household Batteries
- Emergency Lighting Batteries
- Industrial Batteries



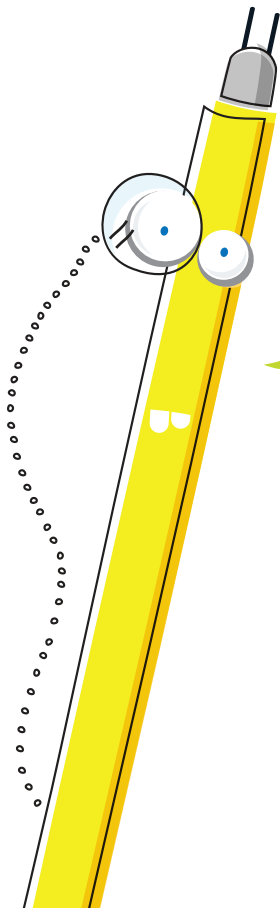
Collection Procedure, Light Fittings

To avail of a free waste light fitting collection the following preconditions apply:

- Minimum collection requirement of 1 pallet of waste light fittings.
- Waste light fittings should be stored securely on a pallet.
- Waste light fittings unable to be stored on a pallet can be stored in boxes or special containers e.g. combi units. Where volumes allow a WEEE cage can be supplied to the site. If WEEE cages are lost or stolen compensation will be required.
- Waste light fittings should be stored in a convenient location for collection, for example, a loading/unloading bay. Please note we cannot collect from underground car parks due to height restrictions. All pallets, combis, stillage's etc. have to be brought to surface level prior to collection.
- All waste light fittings should be stored in the one location, unless specified when arranging the collection.
- Loose waste light fittings will not be loaded by our collection partners. If a site has loose fittings, then site operatives will have to load under supervision of driver.
- Lead time for deliveries and collections is between 2 and 5 working days. All time sensitive jobs should be notified to us at least 5 working days in advance.
- All contamination/packaging is to be removed from waste fittings and waste lamps prior to collection.

Items within Light Fittings

- Waste lamps should be removed from all waste light fittings and stored in a suitable container e.g. WEEE Ireland Fluorescent Tube or CFL Box. Please contact WEEE Ireland in advance of job completion to arrange delivery of boxes for waste lamps.
- Waste batteries within fittings can be left in the waste light fittings as they are decontaminated upon arrival at the recycling facility.



For more information please call **059 863 1377** or email **info@ilr.ie**

Why we offer free collections

- The free take back of waste lamps and waste light fittings is funded by a collective system of Producers (Businesses at the top of the supply chain) supplying product onto the Irish market place.
- WEEE Ireland only offer collections of waste light fittings and waste lamps to collection points that the new product is supplied by a registered and compliant Producer in Ireland.

Collection Point, Storage

Waste Lamps

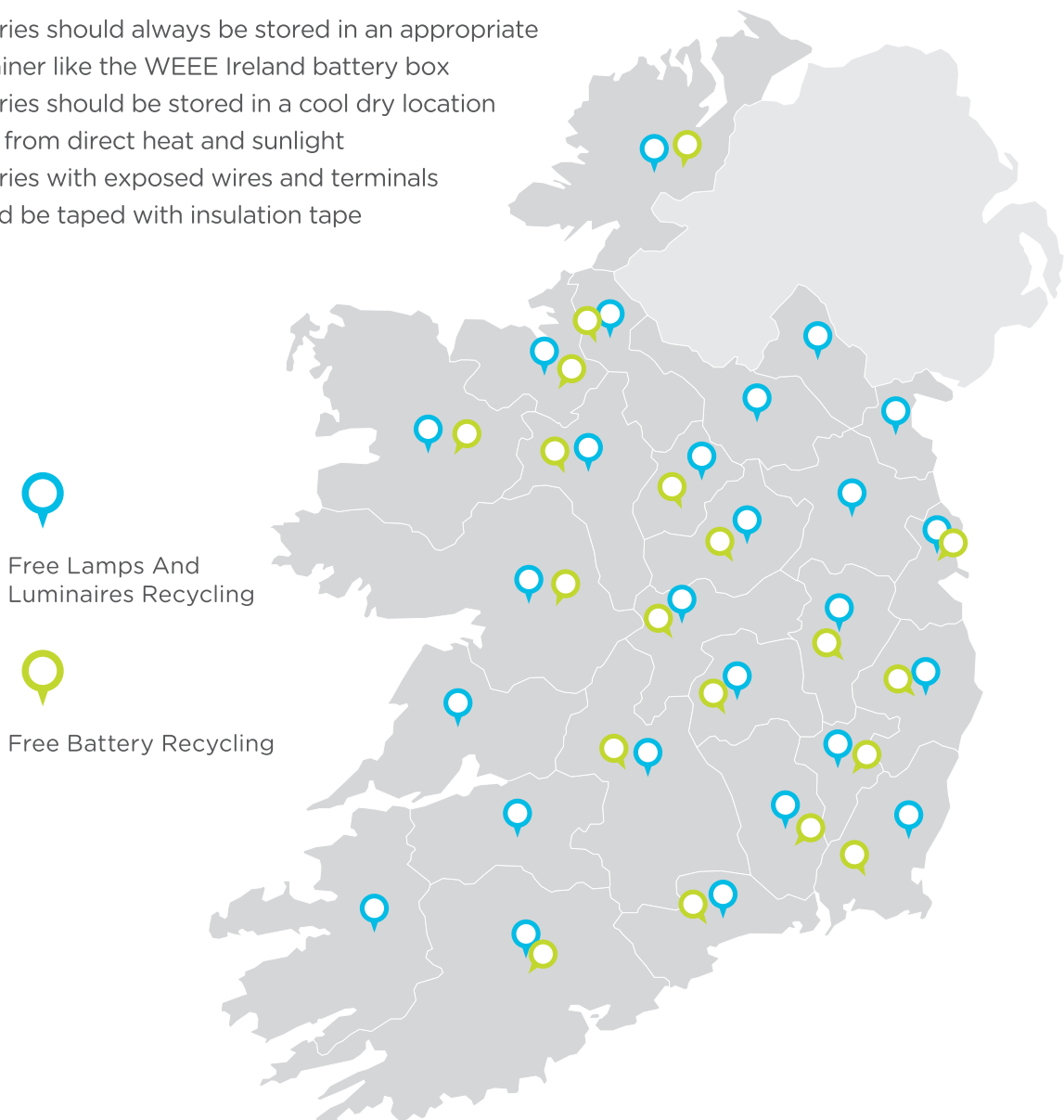
- Lamps should be stored in an approved WEEE Ireland container e.g. WEEE Ireland Lamp Boxes
- Lamps should be stored in a safe, secure weatherproof location, on an impermeable surface
- Lamps should be handled with care to prevent breakage
- Lamps should be removed from fittings
- Segregation of linear and non-linear lamps when using WEEE Ireland Lamp boxes

WEEE

- WEEE should be stored neatly on a pallet or in a WEEE Ireland approved container
- WEEE cages are available for abnormal material where volume allows
- WEEE including light fittings should be presented for collection intact with no component parts removed
- Waste lamps should be removed before storage e.g. Light fittings
- WEEE should be stored on impermeable surface

Waste Batteries*

- Batteries should always be stored in an appropriate container like the WEEE Ireland battery box
- Batteries should be stored in a cool dry location away from direct heat and sunlight
- Batteries with exposed wires and terminals should be taped with insulation tape



*WEEE Ireland do not service the following counties for portable batteries (household batteries, torch batteries, power tool batteries etc.) Meath, Cavan, Monaghan, Louth, Kerry, Clare, Limerick & Fingal County Council

Collection Point, Containers

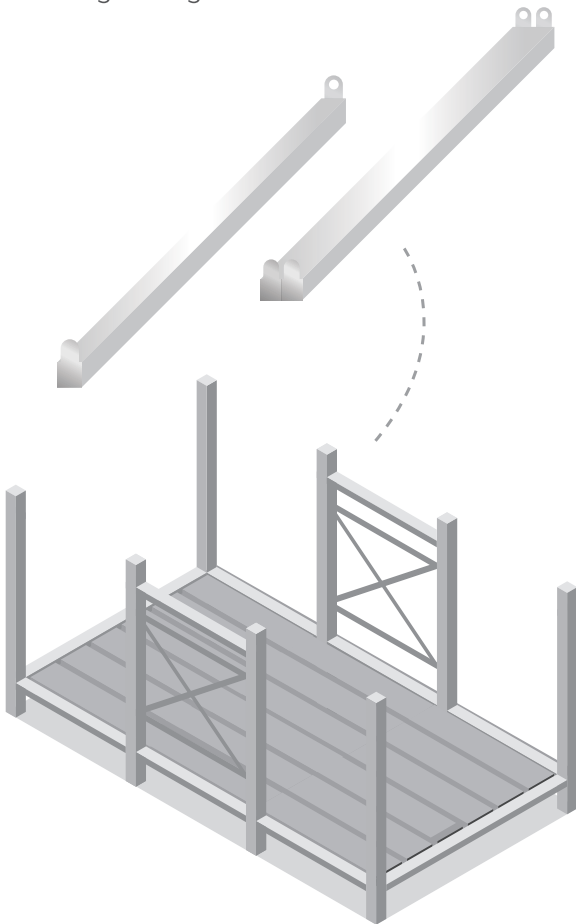


Waste Lamps

- WEEE Ireland Fluorescent Tube Box
- WEEE Ireland CFL/Gas Discharge Box
- WEEE Ireland Fluorescent Tube Box Storage Stillage

Mixed WEEE

Light Fittings to be stored on a pallet.
Storage Stillages available.



Batteries

- WEEE Ireland Battery box
- WEEE Ireland Large Container



All of the above are available on request



Collection Point, Battery Safety

If you take back or store waste batteries here are a few useful do's and don'ts to aid safe battery storage and handling in the workplace.

DO'S

- Do always store waste batteries in an appropriate container like the WEEE Ireland Blue Battery Box
- Do store waste batteries;
 1. In a cool dry place away from a direct heat source e.g. radiator, lights etc.
 2. Out of direct sunlight
 3. Out of reach of small children
 4. In a weatherproof area
 5. On an impermeable surface
- Do close over the lid of the WEEE Ireland battery box when full
- Do prevent the batteries from short circuiting by;
 - Ensuring no other waste or contaminants are present in the battery storage container particularly metal
 - Using vermiculite or other inert absorbent material in larger storage containers
 - Taping exposed wires and terminals with insulation tape
 - Leaving unused Lithium and button cell batteries in their original packaging if secure and safe to do so

If you suspect a battery is damaged or defective;

- Store the battery safely as per the points 1 to 5 above, away from other waste and flammable materials
- Use caution and protective gloves when handling a damaged battery
- Use vermiculite or other inert absorbent material if available
- Inform employer health and safety officer where appropriate
- **Contact WEEE Ireland on 1850 253 252**

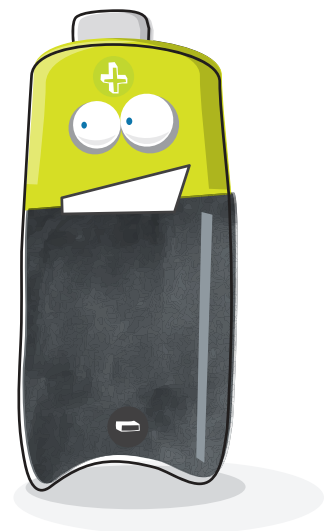
DON'TS

- Do not put other wastes or objects into the WEEE Ireland battery box
- Do not overfill the WEEE Ireland battery box (max. capacity 5Kg)
- Do not store large quantities of batteries for long periods
- Do not lift heavy containers without assistance
- Do not store batteries near flammable materials

IMPORTANT!

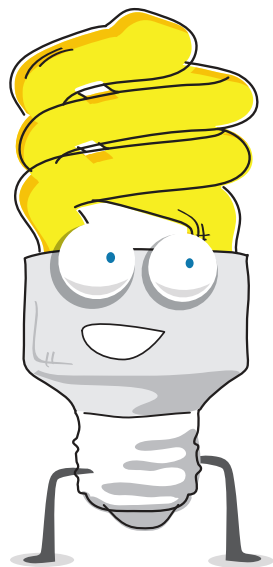
- Keep an appropriate fire extinguisher close to the battery storage area e.g. CO₂
- In the unlikely event of a fire contact the emergency services
- Avoid the use of water as a means to extinguish a battery fire

Note To Retailers: Retailers are obliged under Irish law to take back end of life batteries free of charge, similar to those they sell, with no purchase necessary. See www.weeeireland.ie/retailer for further information.



Collection Point, **Health And Safety**

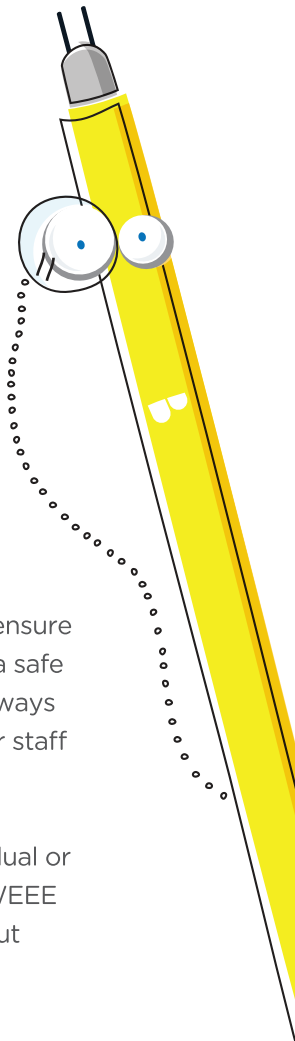
- ✓ Collection points should have a dedicated area for storage of lamps, mixed WEEE and batteries on an impermeable surface and weatherproof where appropriate
- ✓ All contamination including cardboard and packing should be removed from all waste material prior to acceptance by the collection point
- ✓ WEEE Ireland Lamp boxes should be distributed among your customers and electrical contractors to encourage lamp take back
- ✓ Open collection points should have a level of supervision in the WEEE & waste lamp area during opening hours to stop unauthorised access, damage and dumping
- ✓ Relevant health and safety notices should be in place on the collection point
- ✓ Always wear appropriate PPE and take appropriate precautions when handling broken lamps
- ✓ Broken lamps should be handled with care and scooped up with stiff paper or cardboard and placed into lamp storage container.
- ✗ Do not sweep up broken lamps as this rises dust
- ✗ Poor practice of handling lamps results in hazardous mercury emissions which could enter your work environment
- ✗ Mixed WEEE or batteries should not be stored in lamp boxes



Please Note:

It is the collection point's responsibility to ensure that all loading & unloading takes place in a safe and secure manner. The material should always be stored in such a way as not to endanger staff or the public.

Under no circumstances should any individual or commercial entity be allowed to remove WEEE equipment from the collection point without authorisation from WEEE Ireland or its subcontractors.





For collections
please call
059 863 1377 or
email **info@ilr.ie**

The Irish Compliance Scheme

For further information please call us on **1890 253 252**, log on to **weeireland.ie** or find us on  